

FLEX 72L Upgrade Kit Installation Guide

Fixture: FLEX- Post Top Mount (**HID to LED**)

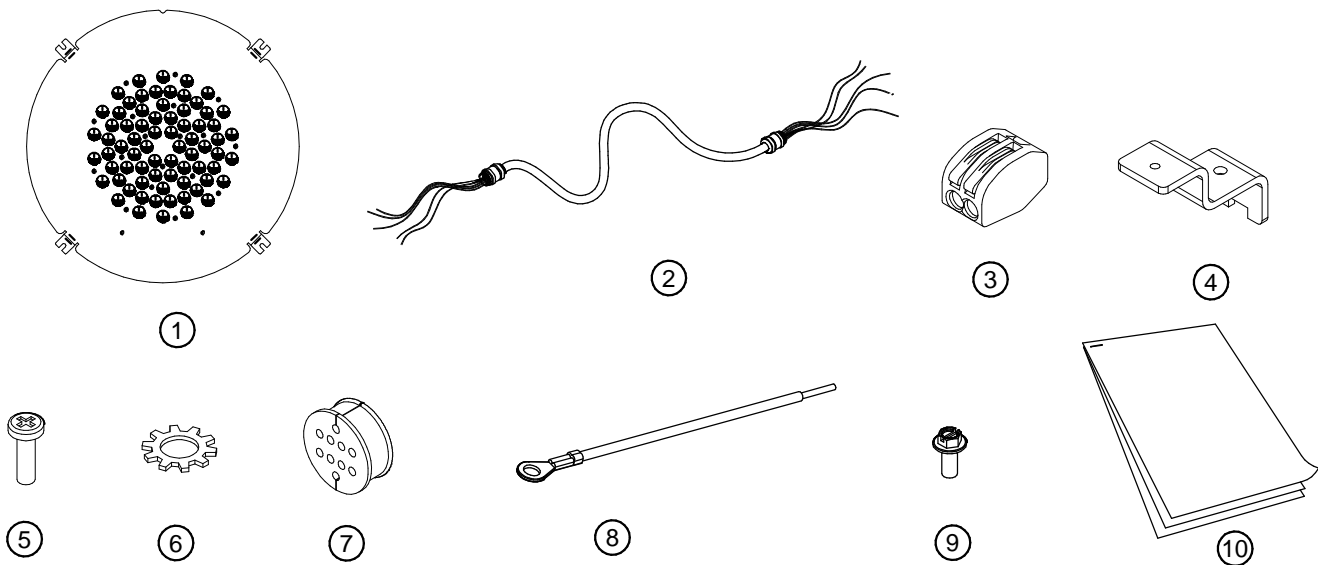


WARNING: Fixtures must be grounded in accordance with local codes or the National Electrical Code. Failure to do so may result in serious personal injury.

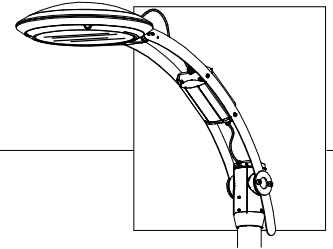
MAINTENANCE: A regularly scheduled maintenance program should be established to retain optimum light output and reduce heat retention. Dusting with a soft, clean, dry cloth is normally sufficient for the optics.

CAUTION: All wiring must be done by a qualified electrician. KEEP THIS SHEET FOR FUTURE REFERENCE.

UPGRADE KIT CONTENTS



ITEM #	QTY	PART #	DESCRIPTION
1	1	-	FLEX2 72LED OPTICAL ARRAY
2	1	A40248-2	CONDUIT ASSY-5 GA 57in OAL
3	10	93035846	CONN-WAGO 2-WIRE 221-412
4	4	93044354	BRKT-MNT-56LED-FLEX
5	8	A84346	SCR-10-24X5/8 PHH PHMS SS
6	4	A84104	WSHR-No. 10 LK EXT TOOTH SS
7	1	82246	GASKET MOLDED GROMMET (10 HOLE)
8	1	A74034-6	WIRE-14GA LEAD 6in GRND SF2
9	1	A84409	SCR-8-32 GROUND-DEROSA No. B628
10	1	93046641	INTS-(FLEX-72LED) UPGRADE-POST TOP MNT



FLEX 72L Upgrade Kit Installation Guide

Fixture: FLEX- Post Top Mount (**HID to LED**)

1. REMOVE EXISTING REFLECTOR ASSEMBLY

⚠️ TURN OFF ALL POWER TO THE UNIT AND TAKE PROPER SAFETY PRECAUTION.

1. OPEN LOWER HALF OF THE HOUSING BY INSERTING FINGERS INTO SLOTS AND PULLING BOTH LATCHES BACK SIMULTANEOUSLY. (FIG. 1-1)/(FIG. 1-1A)
2. REMOVE AND DISCONNECT EXISTING INSTALLED REFLECTOR ASSEMBLY, IN ADDITION TO ANY BRACKETS AND HARDWARE SO THAT (4) BOSSES REMAIN UNOBSTRUCTED. (FIG. 1-2)

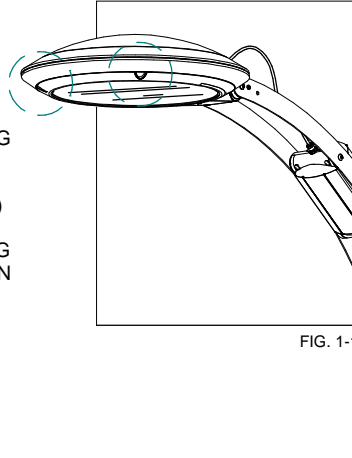


FIG. 1-1

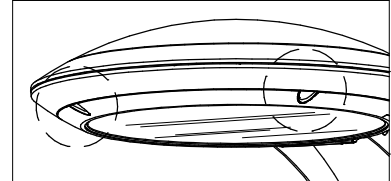


FIG. 1-1A

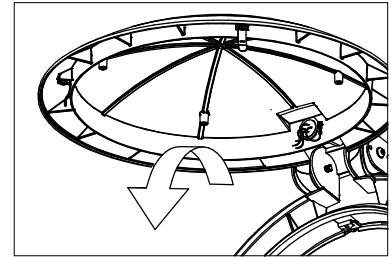


FIG. 1-2

2. REMOVE EXISTING BALLAST

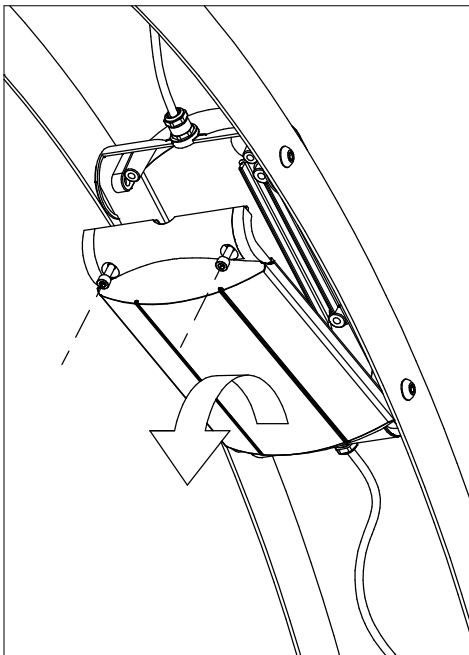


FIG. 2-1

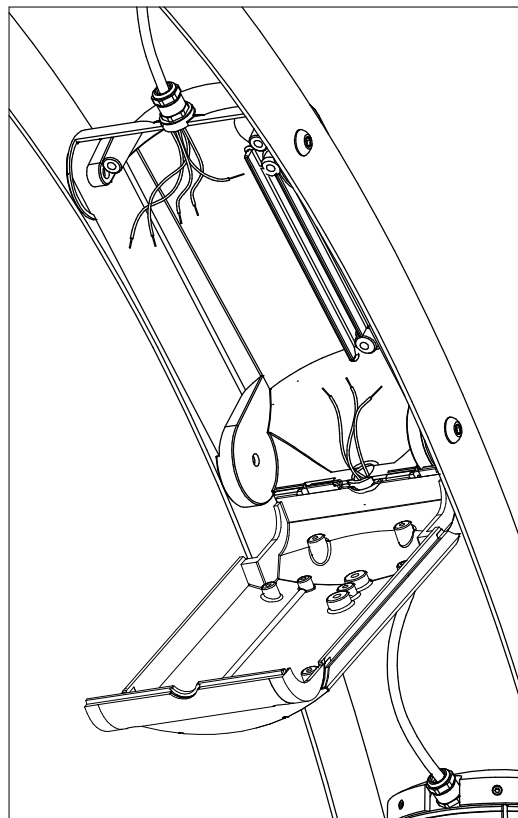
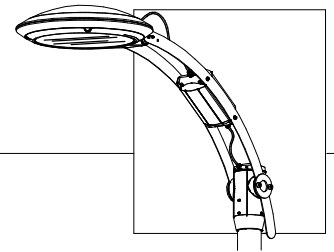


FIG. 2-2

1. LOOSEN AND SAVE (2) 1/4-20X1 1/4" SOCKET CAP SCREWS LOCATED ON THE CAST BALLAST HOUSING DOOR TO ACCESS EXISTING BALLAST ASSEMBLY. (FIG. 2-1)

2. REMOVE EXISTING BALLAST ASSEMBLY AND DISCARD. COMPLETELY REMOVE ALL GROUND/BOND CONNECTIONS THAT ARE ATTACHED TO THE CASTING. (FIG. 2-2)

(NEW CONNECTIONS WILL BE MADE DURING THE UPGRADE PROCESS)



FLEX 72L Upgrade Kit Installation Guide

Fixture: FLEX- Post Top Mount (**HID to LED**)

3. INSTALL LED MOUNTING BRACKETS

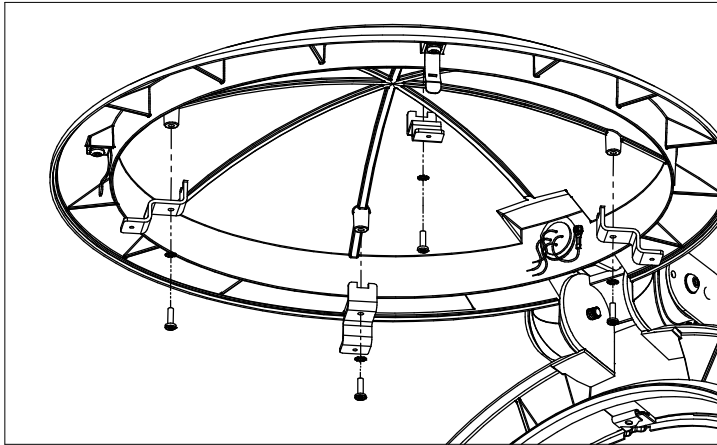


FIG. 3-1

1. INSTALL LED MOUNTING BRACKETS TO UNDERSIDE OF TOP HOUSING AT (4) BOSS POSITIONS. (FIG. 3-1; FIG. 3-1A)

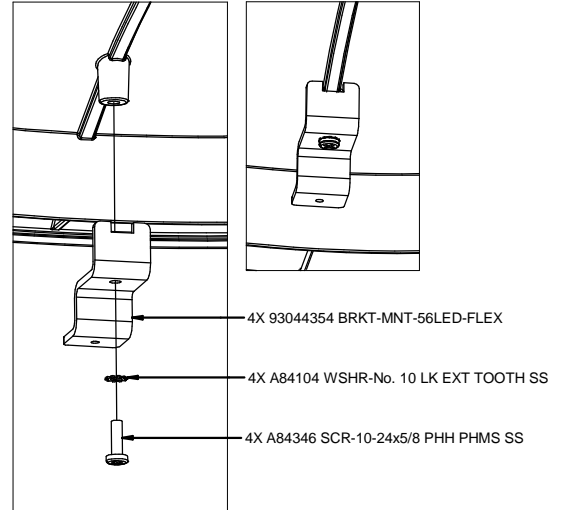


FIG. 3-1A

4. REMOVE EXISTING CONDUIT ASSEMBLY

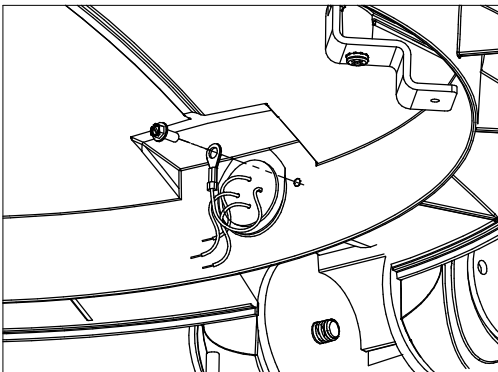


FIG. 4-1

1. REMOVE ALL EXISTING WIRE, GROUND/BOND CONNECTIONS THAT ARE MADE TO THE FIXTURE HOUSING AND DISCARD. (FIG. 4-1)

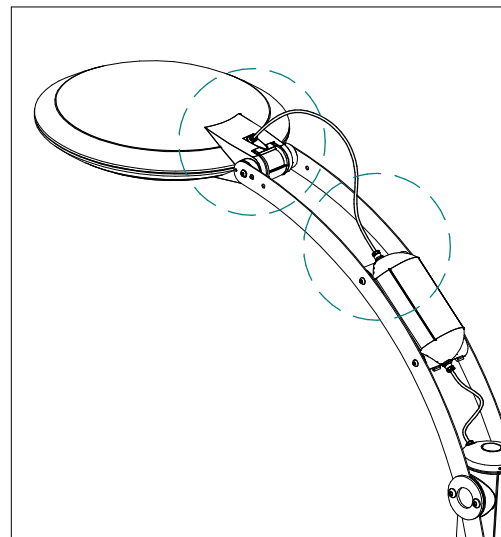


FIG. 4-2

2. REMOVE AND DISCARD EXISTING STEEL BRAIDED CONDUIT ASSEMBLY ON THE FIXTURE HOUSING AND BALLAST HOUSING SIDE WITH A 11/16 WRENCH. (FIG. 4-2A)/(FIG. 4-2B)

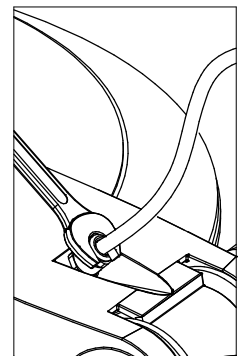


FIG. 4-2A

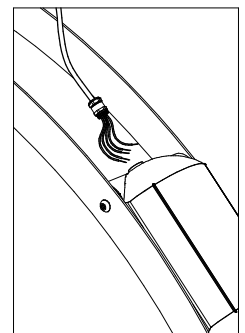
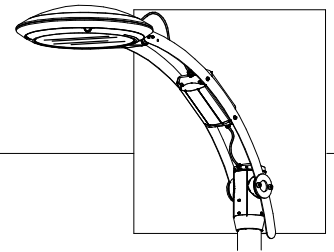


FIG. 4-2B



FLEX 72L Upgrade Kit Installation Guide

Fixture: FLEX- Post Top Mount (**HID to LED**)

5. INSTALL 5-CONDUCTOR CONDUIT ASSEMBLY

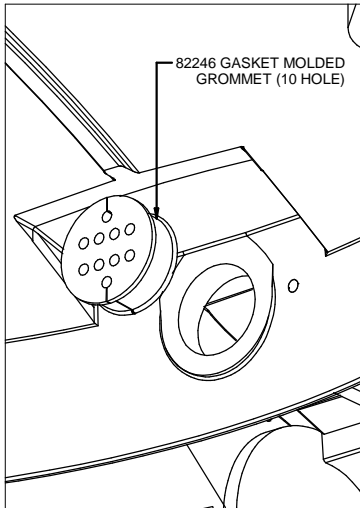


FIG. 5-1

1. WITHIN THE FIXTURE HOUSING, REMOVE AND DISCARD THE EXISTING WIREWAY GROMMET. REPLACE WITH PROVIDED 10-HOLE WIREWAY GROMMET (82246). (FIG. 5-1)

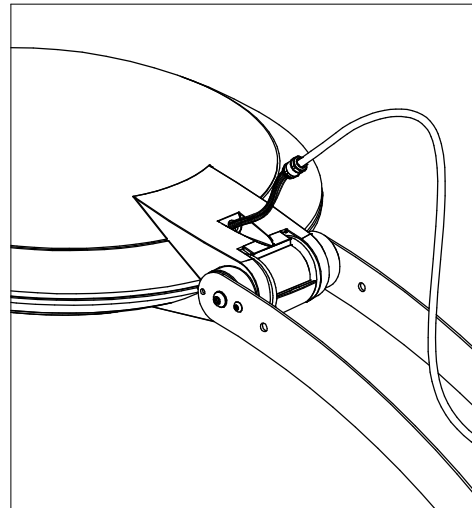


FIG. 5-2

2. USE PROVIDED CONDUIT ASSY-5GA STEEL BRAIDED CABLE. FEED STRANDED BUNDLE OF WIRES INTO FIXTURE HOUSING OPENING. USE THE 10in LONG STRIPPED CORD SIDE. (FIG. 5-2)

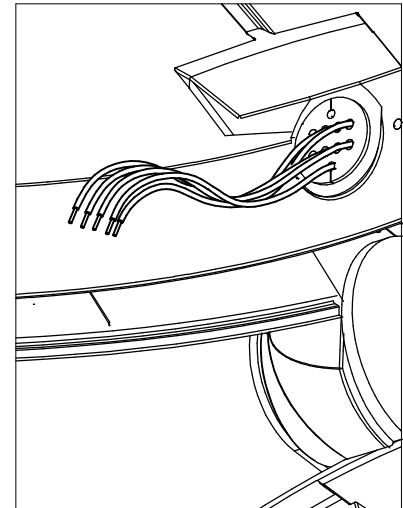


FIG. 5-2B

3. GUIDE EACH INDIVIDUAL WIRE THROUGH A SINGLE OPENING OF THE 10-HOLE WIREWAY GROMMET. (FIG. 5-2B)

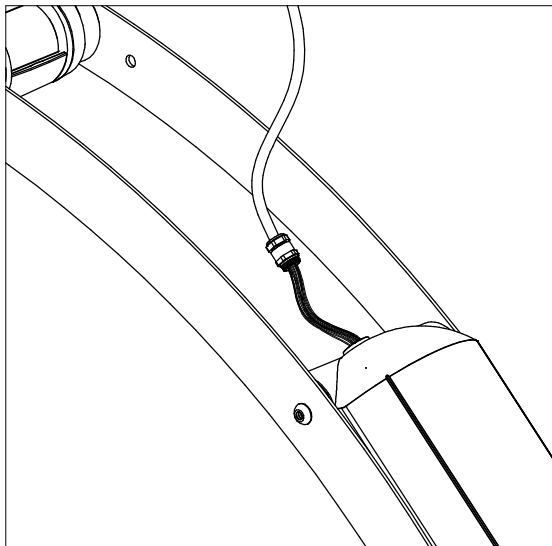


FIG. 5-4

4. INSERT THE OTHER END OF THE CONDUIT ASSY-5GA STEEL BRAIDED STRANDED WIRE BUNDLE INTO THE BALLAST COMPARTMENT OPENING. SHOULD USE THE 17in LONG STRIPPED CORD SIDE (FIG. 5-4/FIG. 5-4B)

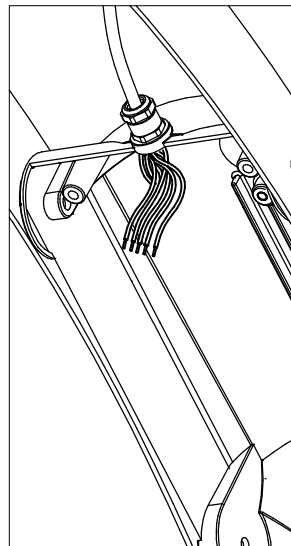


FIG. 5-4B

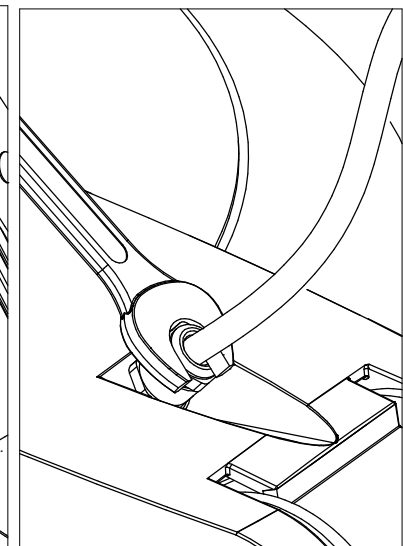
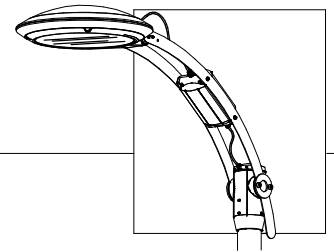


FIG. 5-5

5. TIGHTEN EACH END OF THE CORD GRIP FITTING ON THE FIXTURE HOUSING OPENING AND BALLAST COMPARTMENT OPENING. (FIG. 5-5)



FLEX 72L Upgrade Kit Installation Guide

Fixture: FLEX- Post Top Mount (**HID to LED**)

6. DRIVER COMPARTMENT CONNECTIONS

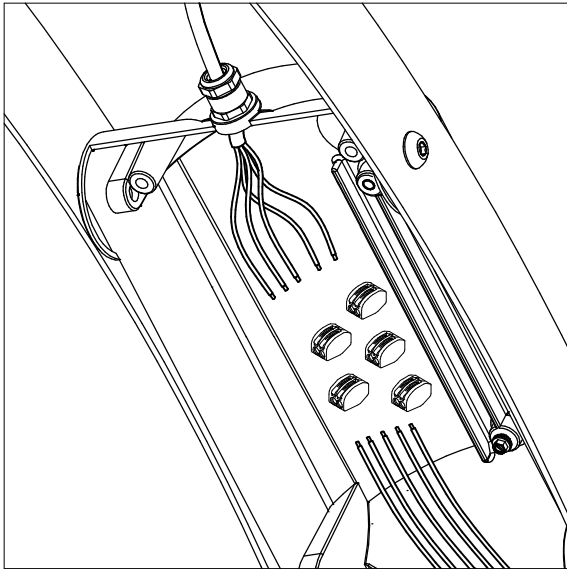


FIG. 6-1

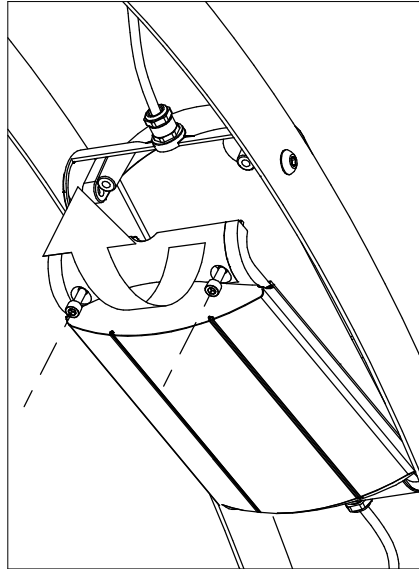


FIG. 6-2

1. ESTABLISH CONNECTION TO INCOMING POWER USING (5) WAGOS. COVER DIMMING LEADS IF ARE NOT USED. SEE PAGE 7 FOR CONNECTION DETAILS.

2. CLOSE CAST DOOR AND TIGHTEN PREVIOUSLY SAVED (2) 1/4-20 X 1 1/4" SOCKET CAP SCREWS. (FIG. 6-2)

7. INSTALL 72LED OPTICAL ARRAY

1. ESTABLISH CONNECTION TO THE 72LED OPTICAL ARRAY VIA THE WAGO CONNECTORS. SEE PAGE 7 FOR CONNECTION DETAILS.

2. DETERMINE STREET SIDE AND ALIGN WITH OPTICAL ARRAY DIRECTION ACCORDINGLY. LOOK FOR LIGHT PATTERN LABEL (FIG. 7-1A) OR NOTCH ON OPTICAL ARRAY (FIG. 7-1B) FOR LED DIRECTION.

3. INSTALL THE GREEN WIRE WITH A RING TO THE #8-32 THREADED HOLE ON THE TOP CASTING, NEXT TO THE GROMMET (FIG 7-2B) AND CONNECT TO GROUND LEADS.

4. INSTALL 72LED OPTICAL DECK VIA PROVIDED (4) 10-24 x 5/8 SCREWS (A84346) TO THE LED MOUNTING BRACKET AT 4 POSITIONS. (FIG. 7-2)

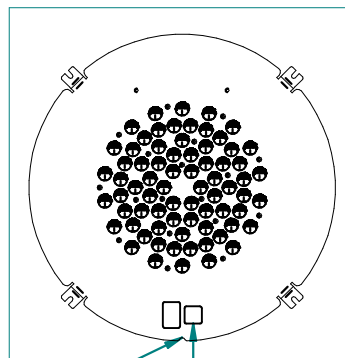


FIG. 7-1

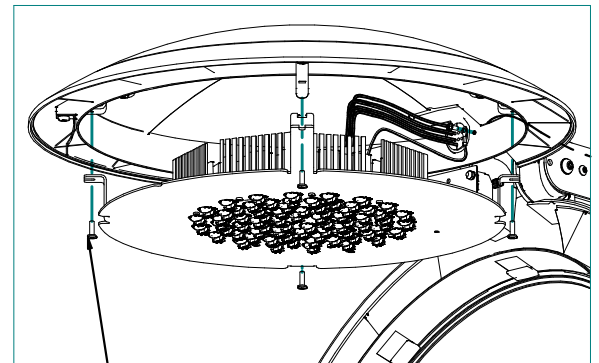


FIG. 7-2

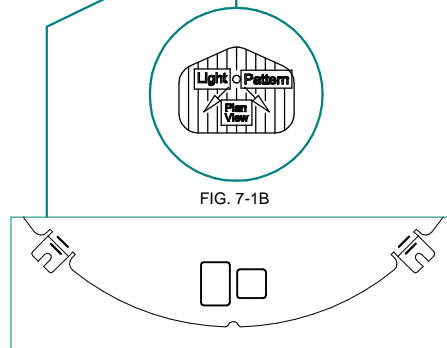


FIG. 7-1B

FIG. 7-1A

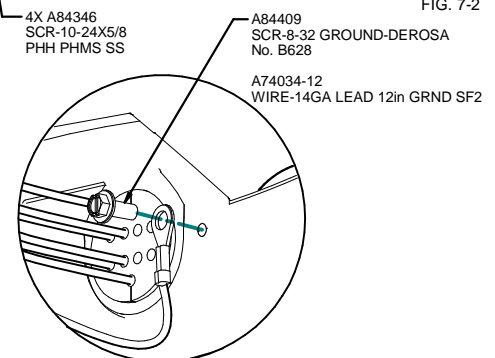
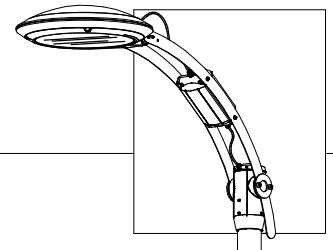


FIG. 7-2B

4X A84346
SCR-10-24X5/8
PHH PHMS SS

A84409
SCR-8-32 GROUND-DEROSA
No. B628


A74034-12
WIRE-14GA LEAD 12in GRND SF2



FLEX 72L Upgrade Kit Installation Guide

Fixture: FLEX- Post Top Mount (**HID to LED**)

8. **LENS ASSEMBLY

 FLEX 72 LED UPGRADE DO NOT REQUIRE A FLAT GLASS LENS. (IDEAL FOR HIGHEST LUMEN OUTPUT)

IF A LENS IS DESIRED, FLEX 72 LED REQUIRES THE LENS TO BE OF FULL APERTURE.

NOTE: SOME EXISTING FIXTURES MAY HAVE A LENS WITH A REDUCED APERTURE AND WILL NEED TO BE REMOVED. (FIG. 8-1)/(FIG. 8-2)

NOTE: IF 700mA UPGRADE IS ORDERED, LENS MUST BE REMOVED. (FIG. 8-1)/(FIG. 8-2)

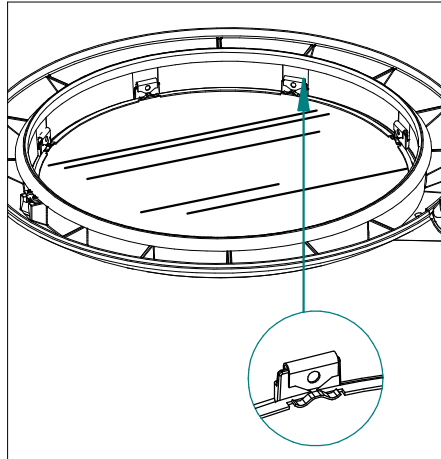


FIG. 8-1

1. REMOVE (8) LENS CLIPS THAT HOLD FLAT GLASS LENS TO LOWER HOUSING OF THE FIXTURE. (FIG. 8-1A).
2. REMOVE FLAT GLASS LENS ALONG WITH EDGE GASKET AND DISCARD.
3. CLOSE LOWER HALF OF FIXTURE HOUSING.

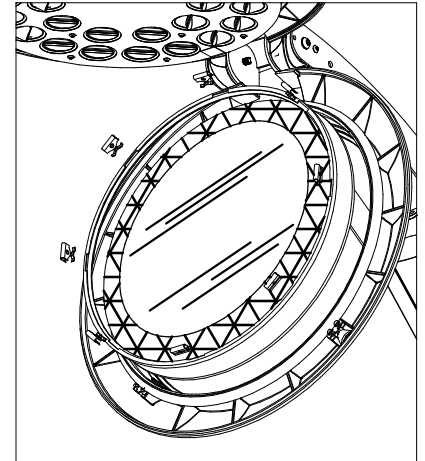
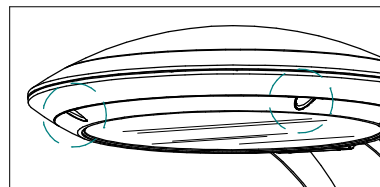


FIG. 8-2

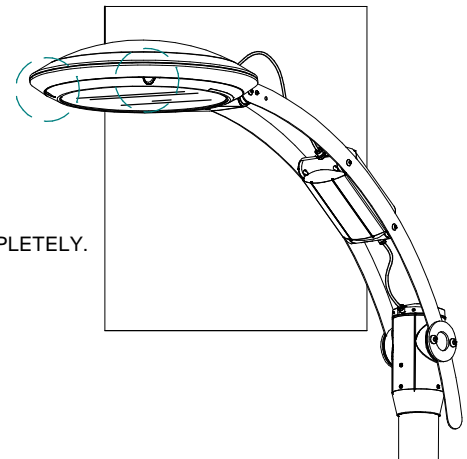
OR

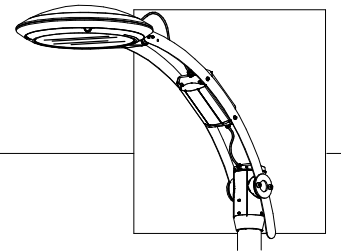
1. REMOVE FLAT GLASS LENS WITH REDUCED APERTURE AND REPLACE WITH FULL APERTURE LENS.
2. CLOSE LOWER HALF OF FIXTURE HOUSING.

9. FINISH INSTALLATION



1. CLOSE LOWER HALF OF THE HOUSING AND MAKE SURE THE LATCH LOCKS COMPLETELY.
2. RESTORE POWER AND CHECK FOR OPERATION.
3. INSTALLATION COMPLETE.

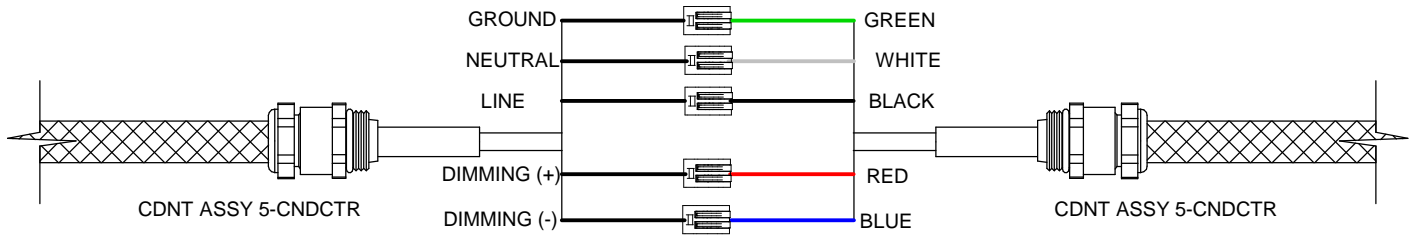




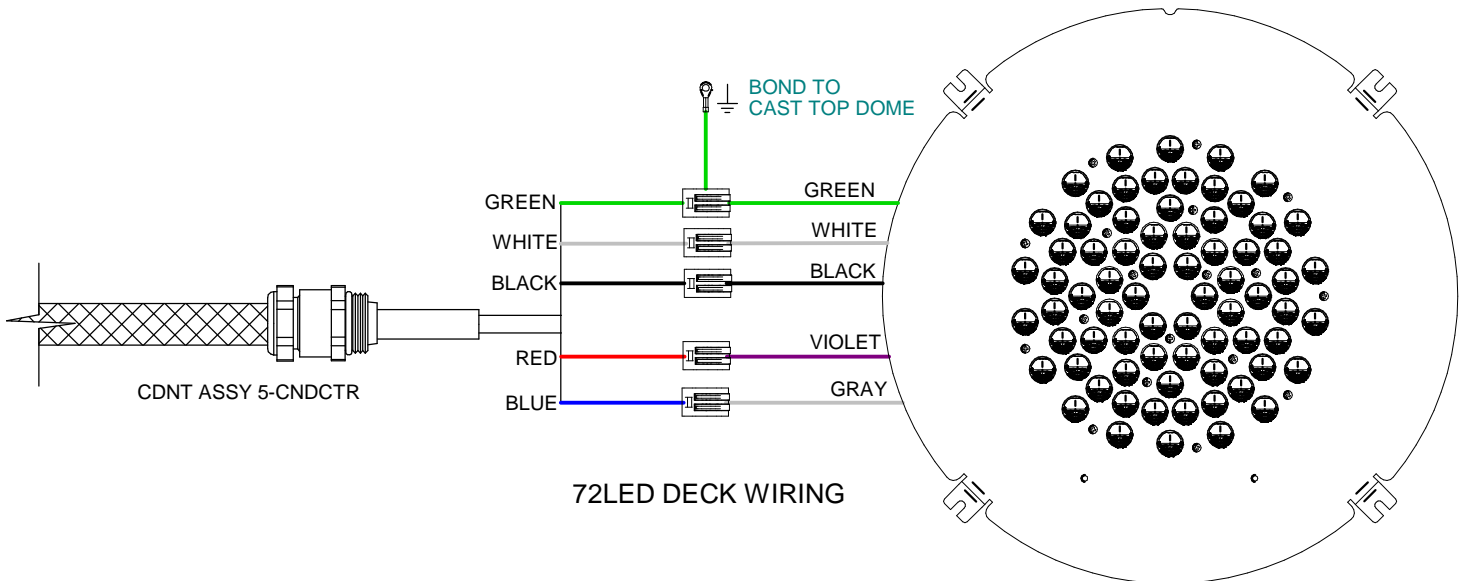
FLEX 72L Upgrade Kit Installation Guide

Fixture: FLEX- Post Top Mount **(HID to LED)**

FLEX 72LED WIRING DIAGRAM



BALLAST COMPARTMENT WIRING



72LED DECK WIRING